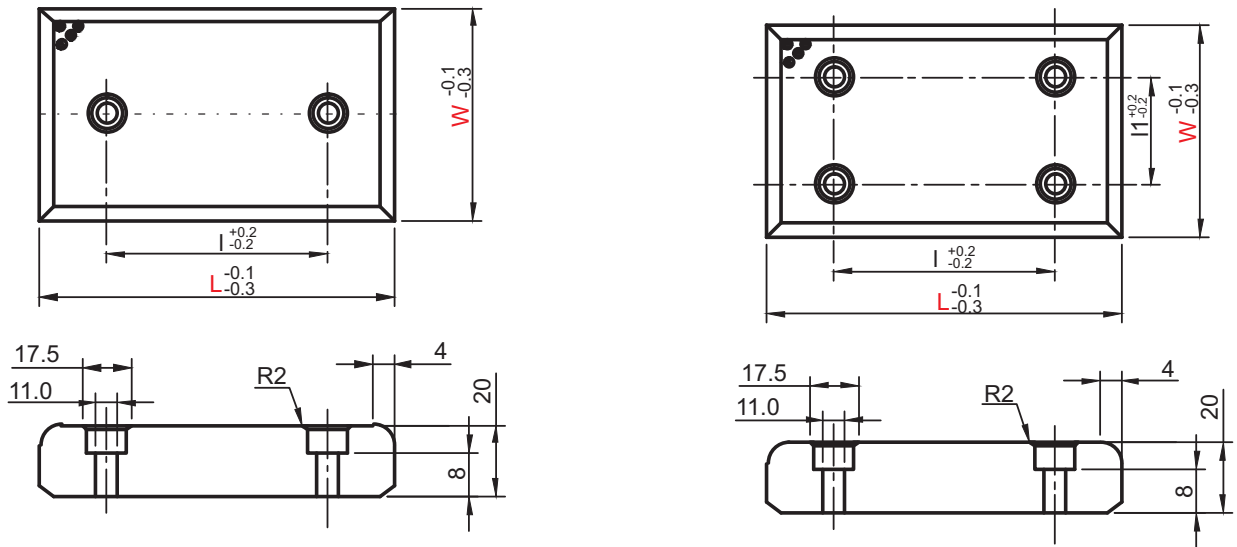


► Wear plate (PWP - PB)



Material :- Phosphorus Bronze



| Type | | W | I | I1 | L |
|--------|--------------|-----|-----|-----|-----|
| PWP-PB | 4 bolt holes | 100 | 50 | 50 | 100 |
| | | | 75 | | 125 |
| | | | 100 | | 150 |
| | | | 150 | | 200 |
| | | | 200 | | 250 |
| | | | 200 | | 300 |
| | | 125 | 75 | 50 | 125 |
| | | | 100 | | 150 |
| | | | 150 | | 200 |
| | | | 200 | | 250 |
| | | | 200 | | 300 |
| | | 150 | 100 | 100 | 150 |
| | | | 150 | | 200 |
| | | | 200 | | 250 |
| | | | - | | - |

Order Type :- Code X W X L

Example :- PWP-PB X 100 X 150

► Wear plate (PWP - PB)

| Type | | W | I | L |
|----------|-------------------------------|-----|-----|-----|
| PWP - PB | 2 bolt holes (W=28 - 75) | 28 | 45 | 75 |
| | | | 50 | 100 |
| | | | – | – |
| | | | 100 | 150 |
| | | | – | – |
| | | 38 | 45 | 75 |
| | | | 50 | 100 |
| | | | – | – |
| | | | 100 | 150 |
| | | | – | – |
| | | 48 | 45 | 75 |
| | | | 50 | 100 |
| | | | 75 | 125 |
| | | | 100 | 150 |
| | | | 150 | 200 |
| | 58 | 45 | 75 | |
| | | 50 | 100 | |
| | | – | – | |
| | | 100 | 150 | |
| | 75 | 25 | 75 | |
| | | 50 | 100 | |
| | | 75 | 125 | |
| | | 100 | 150 | |
| | | 150 | 200 | |
| | | – | – | |
| | | – | – | |
| | 2 bolt holes (W=100 - 150) | 100 | 50 | 100 |
| | | | 75 | 125 |
| | | | 100 | 150 |
| | | | 150 | 200 |
| 200 | | | 250 | |
| 200 | | | 300 | |
| 125 | | 75 | 125 | |
| | | 100 | 150 | |
| | | 150 | 200 | |
| | | 200 | 250 | |
| | | 200 | 300 | |
| 150 | | 100 | 150 | |
| | | 150 | 200 | |
| | | 200 | 250 | |
| | | 200 | 250 | |

Order Type :- Code X W X L

Example :- PWP-PB X 100 X 150